

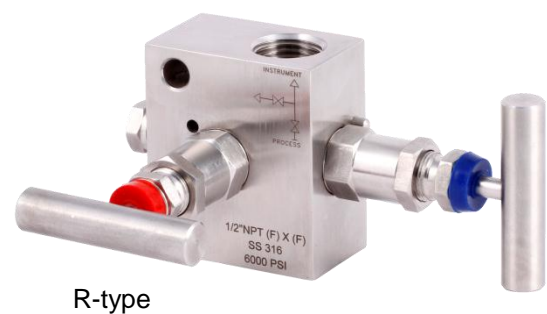
2 valve manifold Model 2VM

Features

- Stainless steel construction Optional Monel & Hastelloy-C276
- Isolates and bleeds process from Measuring Instrument assembly
- Provision of dust caps that prevent dust Ingress
- Supplied with wetted parts according to NACE MR0175
- The controlled vent provides the option of draining to process fluid to collector or atmosphere
- PTFE packing optional grafoil

Applications

Chemical & petrochemical industries & refineries
 Off shore and on shore fields
 Storage tanks of fluids/gas
 Thermal & nuclear power generation units
 Waste treatment plant
 OEM & machine apparatus
 Seawater desalination plants



Technical specification	2VM
Body	Stainless steel 316 optional Stainless steel 316L, Monel & Hastelloy-C276
Stem	Stainless steel 316 optional Stainless steel 316L, Monel & Hastelloy-C276
Valve assembly	Stainless steel 316 optional Stainless steel 316L, Monel & Hastelloy-C276
Connections	1/4" 3/8" 1/2" BSP / NPT, others on request
Packing	PTFE up to 240 °C (462 °F) optional Grafoil up to 538 °C (1000 °F)
T-handle	Stainless steel 304
Permissible pressure rating	6000 PSI @ 100°C (212 °F)
Drain Port	1/4" NPT(F)
Vent plug	Stainless steel 316 optional Stainless steel 316L, Monel & Hastelloy-C276

Order information

Type	Mounting	Connection	Form Inlet X Outlet	System material	Options
2VM	(RM) Remote mount	(02) 1/4" NPT	(M/F) Male X female ¹⁾	(S) 316(1.4401)	(NH) Tagging Stamped
	(R) Pipe to pipe	(04) 1/2" NPT	(F/F) Female X female	(L) 316L (1.4404)	(OF) Oil free
	(T) Pipe to flange	(03) 3/8" NPT	(F/FL) Female X flange	(P) Monel	(CD3) Material certificate for wetted parts
		(13) 1/4" BSP			
(H) Flange to flange	(14) 3/8" BSP	(FL/FL) Flange X flange	(H) Hastelloy-C276	(10K) Pressure rating 10000PSI ²⁾	
	(15) 1/2" BSP				
	(=) Flange			Others on request	(G) Grafoil packing (CD5) NACE MR 0175/ISO15156-2005

1) Only for (RM) type 2) Detailed drawing shall be provided on request

How to order

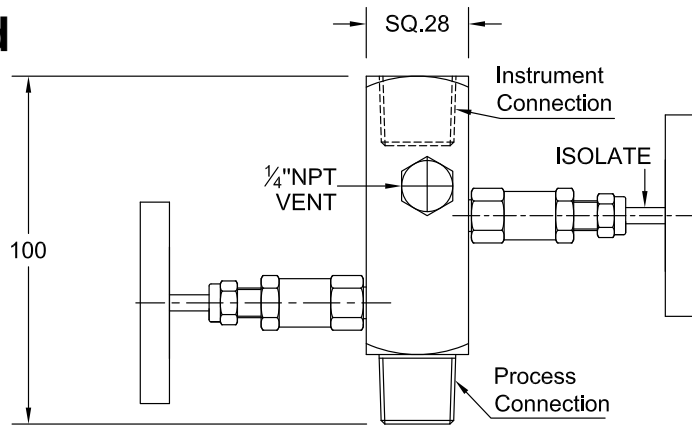
Type	Mounting	Connection	Form	System material	Options
2VM	R	04	F/F	L	CD5

All specifications are subject to change without notice.

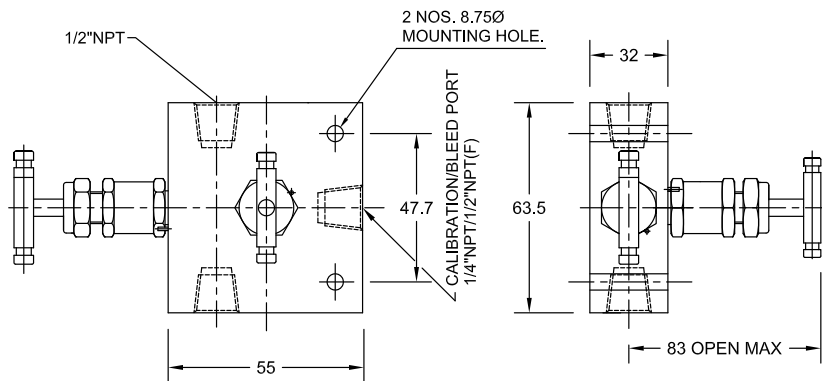
IN. 2VM Rev. C 18/01/2018

2 valve manifold

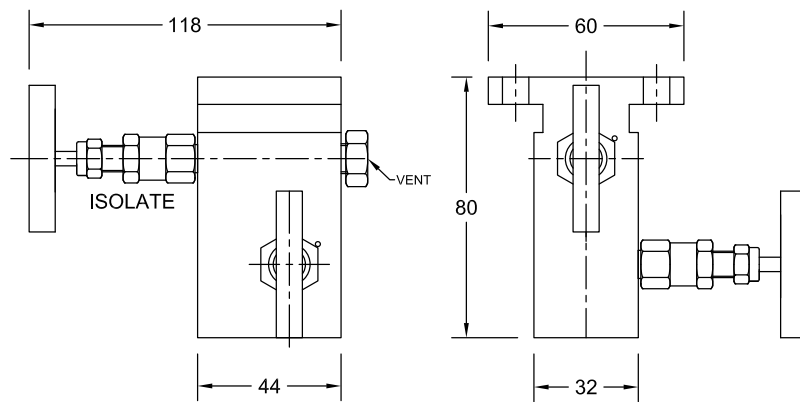
RM-type



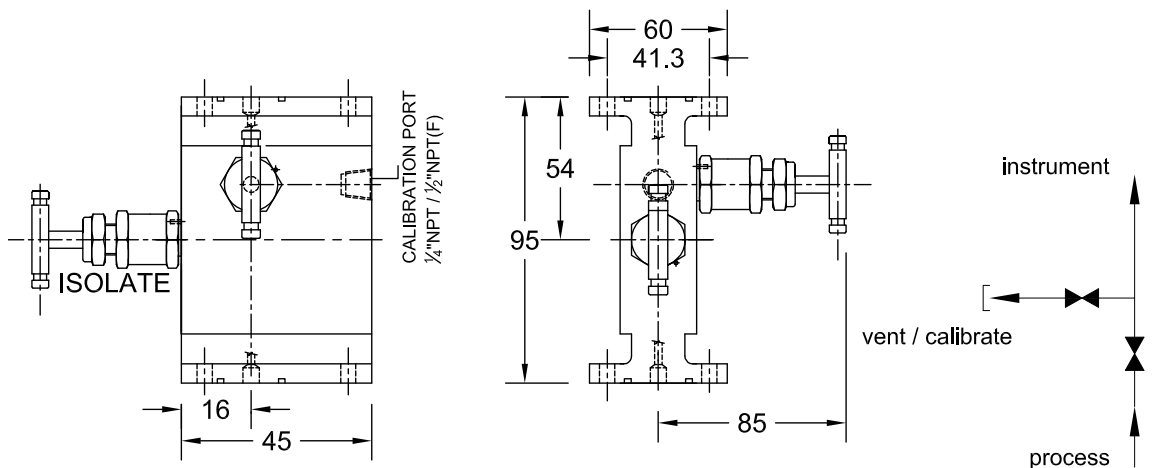
R-type



T-type



H-type



Pressure Rating: 6000psi @ 100°C (212 °F)
 Dimension shall be differ for option 10K